



# NIGEL LANE

## "TEAM RML"

38, Arundel Road, Romford, RM3 0RT  
Tel: +44(0)2032877784  
eMail: nigel@nigellane.com



BAND/RING: **GB 09 J 31666**

STRAIN: **Rothuizen/Steketee**

COLOR: **Blue Chequeur**

NAME/ALIAS: **EÁDHUN**

SEX: **Cock**

D.O.B: **02/05/2009**

EYE INFO: **(0)**

"EADHUN" is an individual. As a yearling he escaped from the basket before his first scheduled race. He was sent to the next two races coming 5th and 1st to the loft. His progress was then steady. As a 3yr old he was 1st/616 National and 475th/25,320 International Barcelona 2012.

### SIRE

**NL 04 1640211**

Strain: J. Rothuizen  
Color: Chequeur Pied  
A cock obtained from J. Rothuizen but little known of its history.

**NL 05 0503952**

Strain: Rothuizen/Steketee  
Color: Chequeur Pied  
He is Sire to 1st/616 National and 475th/25,320 International Barcelona 2012. His Sire is a cock from J. Rothuizen and his Dam is a daughter of Steketee's "Den Pau" 20th National Pau.

**NL 03 0313348**

Alias "Dochter Den Pau"  
Strain: Steketee  
Color: Chequeur Pied  
Sire "Den Pau" and the Dam from De Marseille lines.

**NL 95 1572524**

Strain: J. Rothuizen  
Color: Blue Chequeur

**NL 88 1649097**

**NL 88 1420000**

**NL 93 2077155**

**NL 96 1718053**

Strain: J. Rothuizen  
Color: Blue Chequeur

**NL 92 2359005**

**NL 87 8760139**

Alias "Zoon Marseille"

**NL 98 9803055**

Alias ""Den Pau""  
Strain: Steketee  
Color: Chequeur Pied  
Grandson of "De Marseille" and

**NL 97 9703644**

Alias "Halfzus Stayer"

**NL 99 9942910**

**NL 01 0103174**

Strain: Steketee  
Color: Chequeur Pied

**NL 99 9942808**

### DAM

**NL 05 1885147**

Alias ""De Snor""  
Strain: Outhuijse  
Color: Chequeur Pied  
Son of "Barcelona Witpen"

**NL 07 1156105**

Alias ""Vrosch Jelle""  
Strain: Outhuijse  
Color: Chequeur Pied  
She is Dam to 1st/616 National and 475th/25,320 International Barcelona 2012. Her Sire is "De Snor" a son of "Barcelona Witpen" and her Dam is a Granddaughter of Vrosch Meijers "Barcelona Rambo 11".

**NL 05 1755756**

Strain: Vrosch Meijers  
Color: Blue Chequeur

**NL 04 1336271**

Strain: Outhuijse  
Color: Blue

**NL 03 1675671**

Alias ""Klk Montarkoppel""

**NL 94 2163467**

**NL 00 1147977**

**NL 01 1074215**

Alias ""Barcelona Witpen 215""  
Strain: Outhuijse  
Color: Chequeur Pied  
273rd National Barcelona 2005,

**NL 96 1372651**

**NL 00 2427013**

**NL 04 1201215**

Strain: Vrosch Meijers  
Color: Blue

Alias ""Barcelona Rambo 11""

**NL 03 1556499**

Alias ""Het 499 Fons""

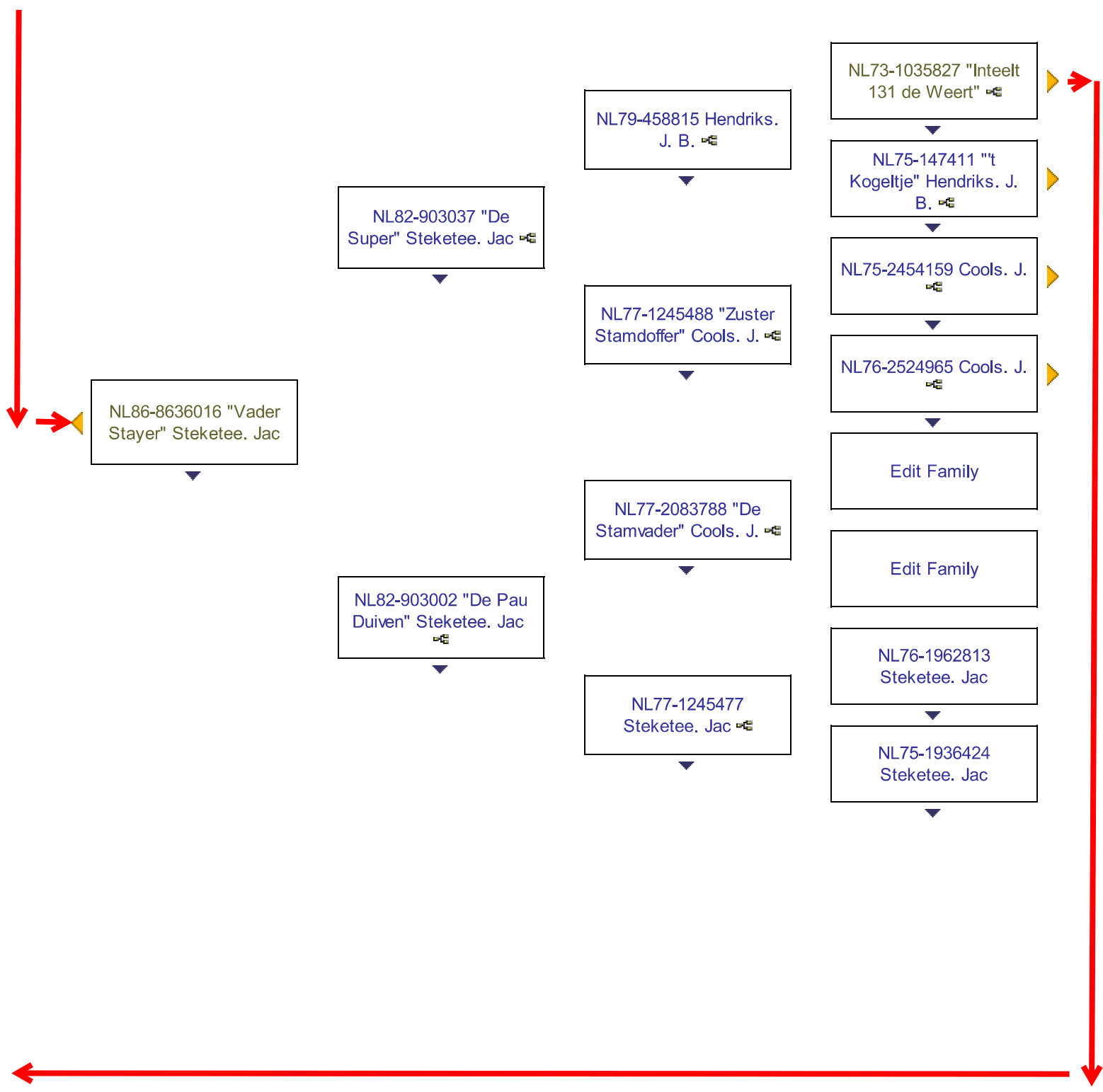
**NL 89 1951728**

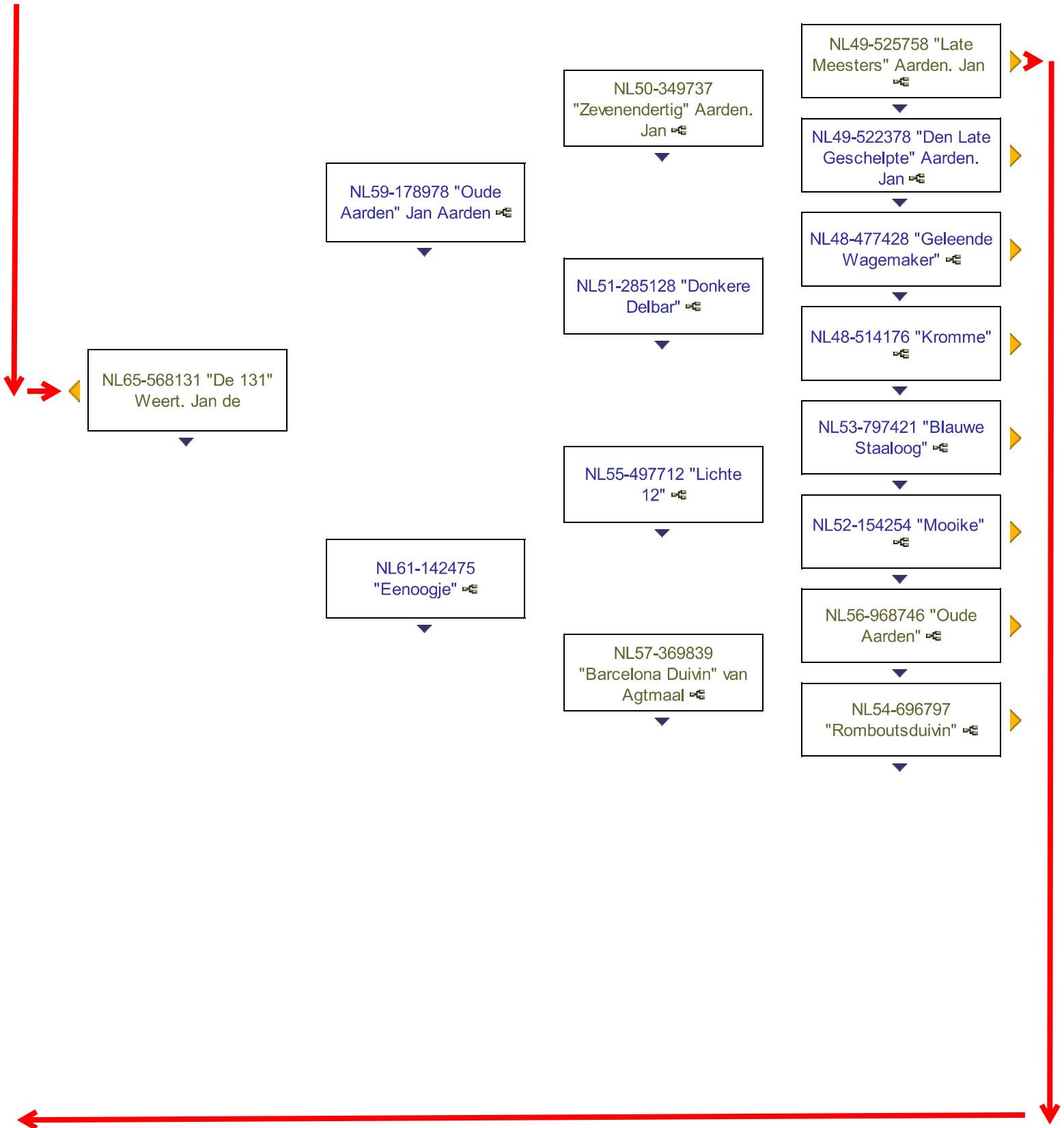
**NL 04 1200108**

Strain: Vrosch Meijers  
Color: Blue Chequeur

Alias ""Broer Barca Sierens""

**NL 00 2427038**





NL65-568131 "De 131"  
Weert. Jan de

NL59-178978 "Oude  
Aarden" Jan Aarden

NL61-142475  
"Eenoogje"

NL50-349737  
"Zevenendertig" Aarden.  
Jan

NL51-285128 "Donkere  
Delbar"

NL55-497712 "Lichte  
12"

NL57-369839  
"Barcelona Duivin" van  
Agtmaal

NL49-525758 "Late  
Meesters" Aarden. Jan

NL49-522378 "Den Late  
Geschelpte" Aarden.  
Jan

NL48-477428 "Geleende  
Wagemaker"

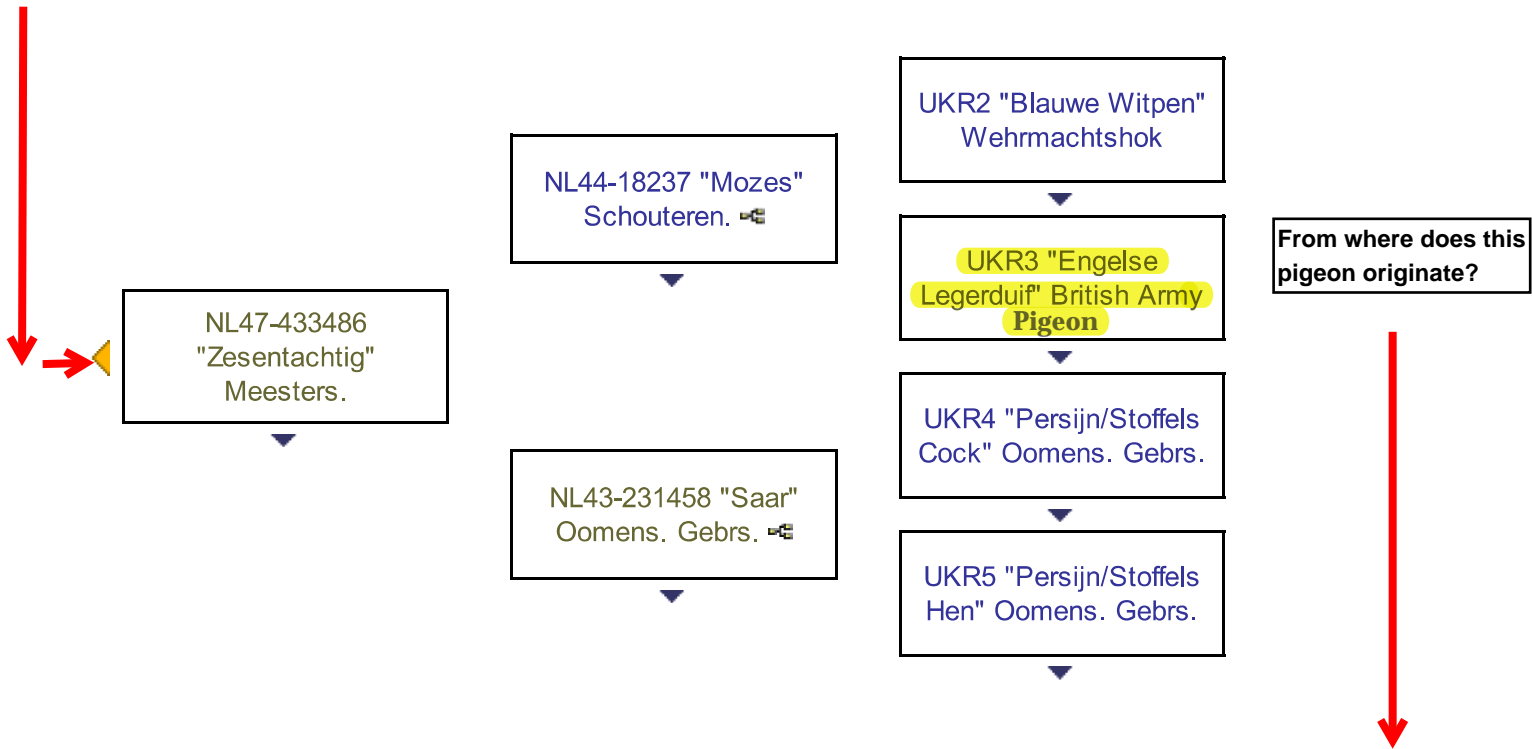
NL48-514176 "Kromme"

NL53-797421 "Blauwe  
Staalooq"

NL52-154254 "Mooike"

NL56-968746 "Oude  
Aarden"

NL54-696797  
"Romboutsduivin"



## The "Engelse Legerduif" or British Army Pigeon.

The details of this pigeon, even its very existence are unknown and yet it is cited quite clearly and authoritatively in some pedigrees. It would of course be very interesting to know if it existed at all and if so its ring number together with origin and breeding.

"Mozes", allegedly a son of this pigeon was hatched in 1944 consequently his parents were hatched in 1943 or earlier. Holland was under occupation throughout this time and prior to that, on August 4th 1942, the occupying force ordered that all Dutch homing pigeons be killed. From that time pigeons, especially military trained, were a prime target of the occupying force. Those that survived only did so by being hidden and kept in secret against the threat of severe penalties from the occupying force, the fierce fighting that went on during 1944/45 and the dreadful winter that alone led to the death of thousands of people.

It is a commonly believed, supported by the verbal testimony of his friends that on a day in September 1944 Toon Schouteren broke into the Wehrmachtshok in Steenberg from where he stole three pigeons. Amongst the pigeons he stole were "Moses" and "Saar" and this only a few weeks before the stock was carried off on its way to Germany. So if these pigeons were stolen from the Wehrmachtshok how do we know their parentage? The truth is of course we do not really know but it is surely reasonable to assume that if Schouteren was prepared to take such a risk, the penalty for which was almost certain death, then he had some knowledge, some information about which pigeons to take, their breeding and potential. Whether he managed to take the pigeons he set out to get and whether they had the parentage that has been attributed to them we shall never really know but what is quite certain the pigeons he took laid the foundation to a large part of the European Long Distance racing that followed.